

Airflow 1™

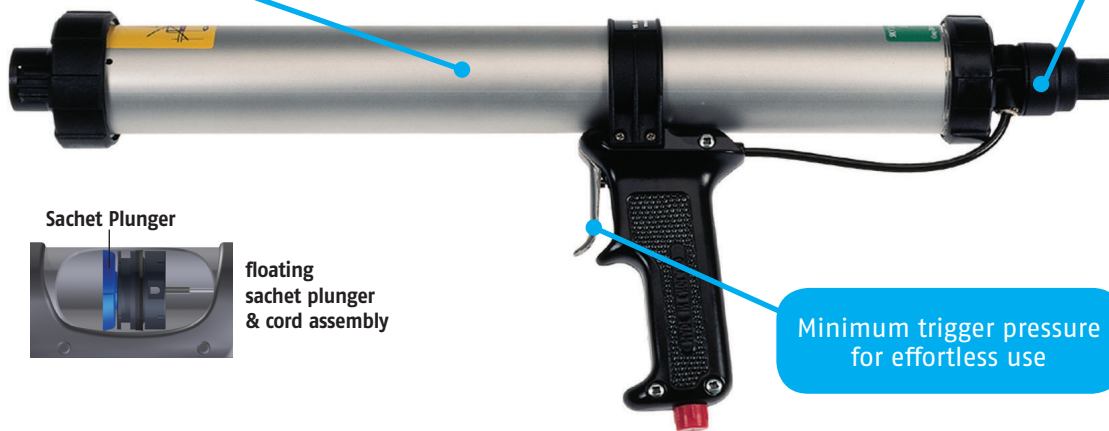
SACHET 600ml

A single component pneumatic bead applicator for sachets

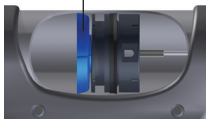


Floating plunger system using tethered piston with attached sachet plunger, compressing the sachet to dispense the sealant

Integral pressure regulator to control sealant flow



Sachet Plunger



floating sachet plunger & cord assembly

Minimum trigger pressure for effortless use

PRODUCT FEATURES:

- High volume trigger valve for immediate sealant flow
- Quick exhaust valve to minimise "flow-on"
- Manufactured in UK to high quality standards for reliability and safety
- Wide range of accessories and spare available to make the most of the applicator and give it a long service life

- 6.8bar (100psi) regulator as standard (others available)

Standard: 6.8 bar (100 psi) ●

Options available: 3.4 bar (50 psi) ●
5.2 bar (75 psi) ●
8.5 bar (125 psi) ○

The Cox Airflow 1 is part of a range of pneumatic applicators. Ideally suited to larger scale production line and commercial operations where easy access to compressed air is available, giving substantial productivity gains over manual applicators. The Airflow range provides fast, effortless application and smooth consistent sealant flow for high quality workmanship.

For more information call +44(0)1635 264500
Or visit www.pccox.co.uk

Airflow 1TM

SACHET 600ml



A single component pneumatic bead applicator for sachets

APPLICATIONS:

- For low to medium viscosity
- Sachet volumes: 310ml, 400ml, 600ml

SPECIFICATIONS:

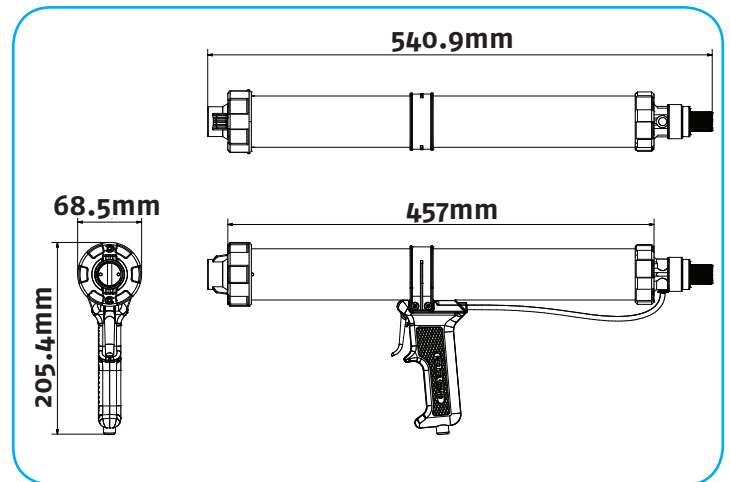
- Max Pneumatic Pressure: 6.8bar (100psi) (others available)
- Maximum Thrust: 1.64kN
- Barrel Length: 457mm
- Tool Weight: 1.12kg
- Tool Material: Black cast aluminium with epoxy coating handle, silver anodised aluminium barrel
- Certificates: ISO, REACH, CE, EN
- Packaging Options: 1 or 10 per box

WEB LINKS:

- Academy video
www.pccox.co.uk/en/cox-academy
- Spare parts diagram
www.pccox.co.uk/en/exploded-diagrams

OTHER MODELS AVAILABLE:

- Airflow 1 Cartridge
- Airflow 1 Combi
- Airflow 1 Combi HP
- Airflow 1 1000 S
- Airflow 1 1000 L
- Airflow 1 BULK
- See also: Airflow 2 range or Airflow 3 range

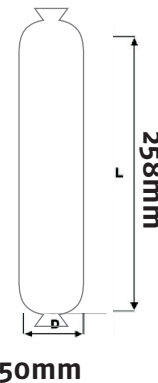


SACHETS:

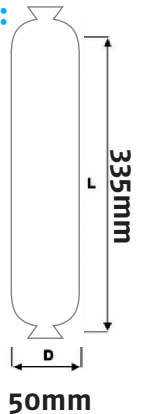
310ml:



400ml:



600ml:



COMPRESSOR GUIDE

